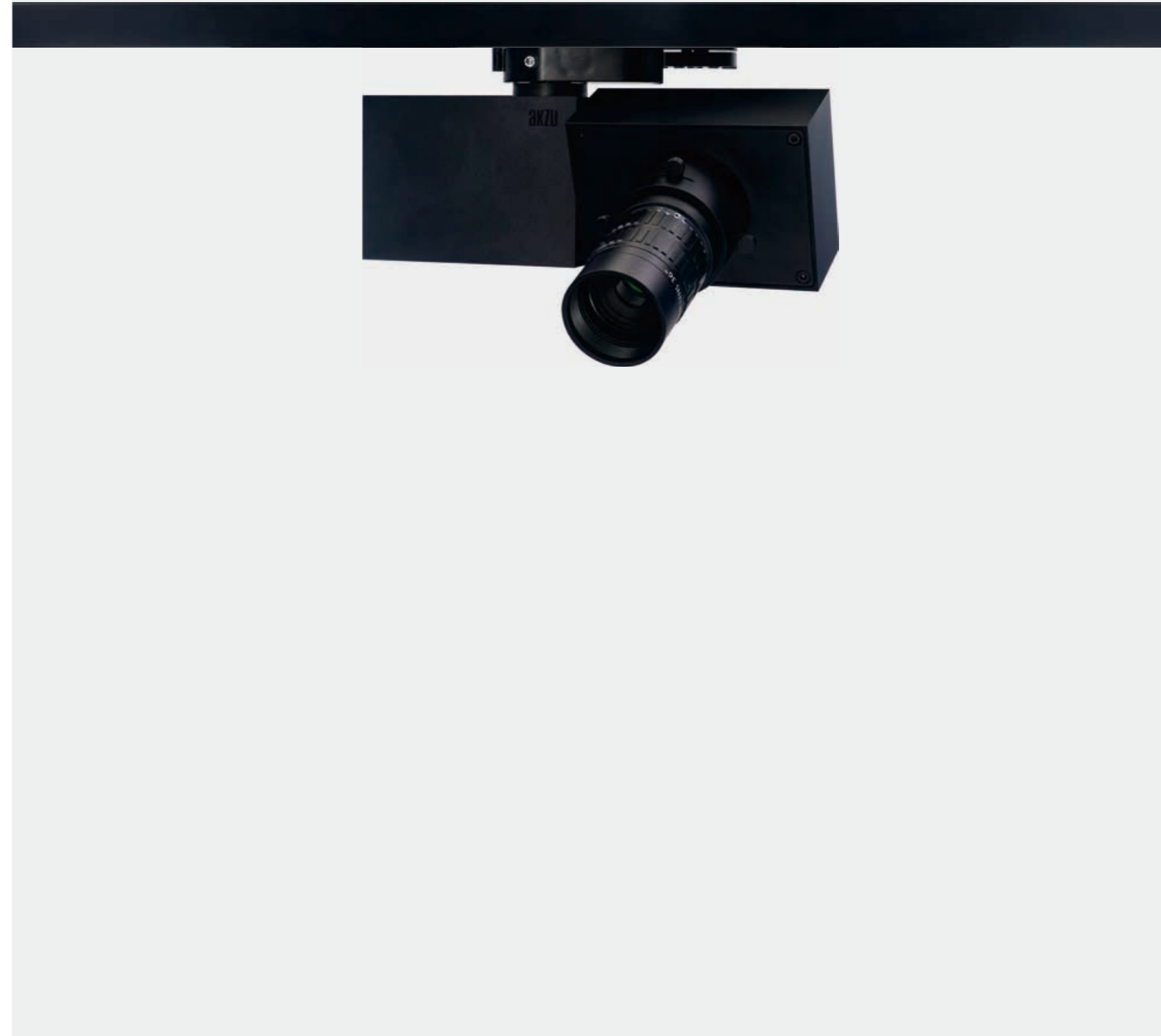


Museum Quality Light.



Art. No. 039514.906



Dux A3
Focus on fine art, especially while it's really fine.

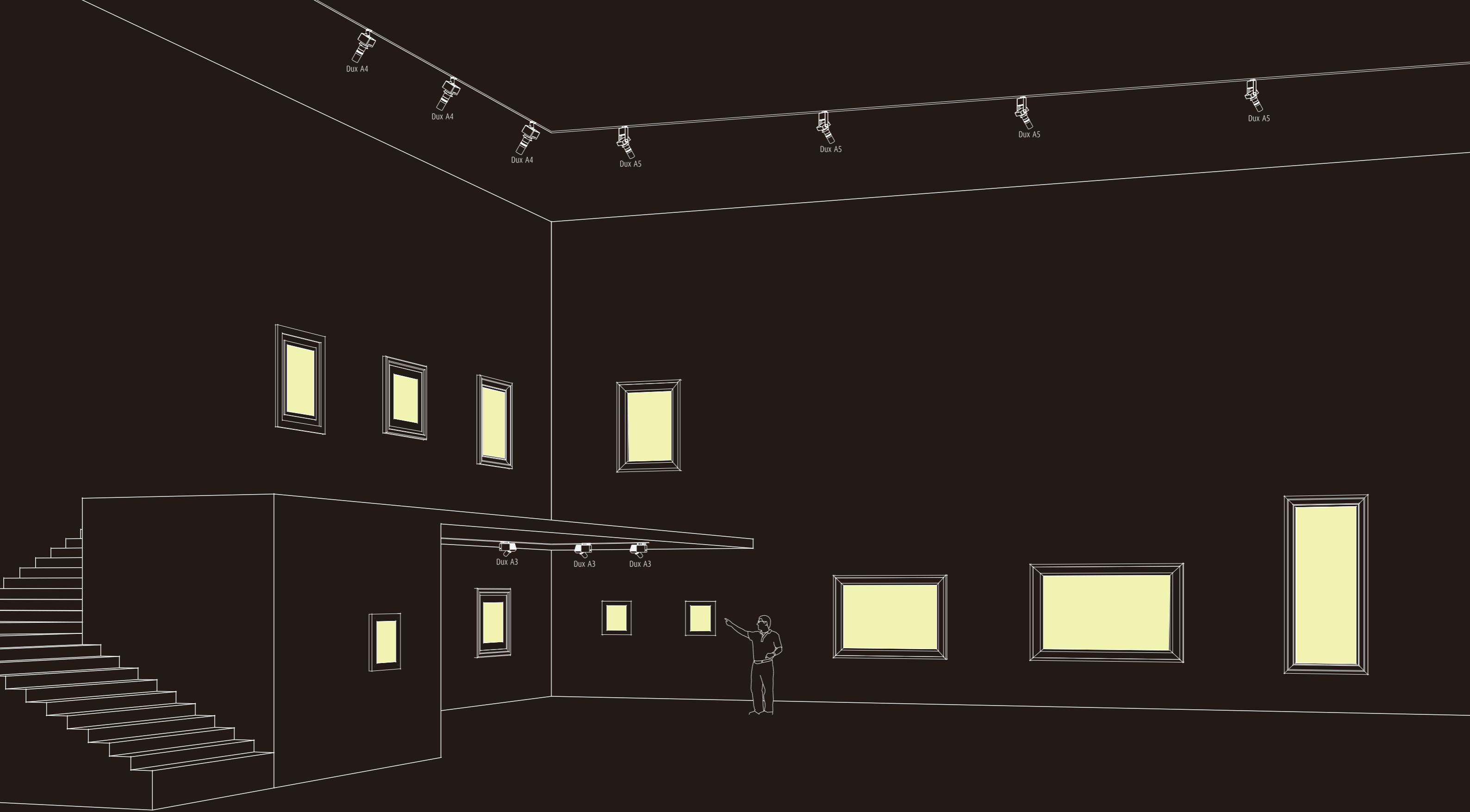
Specifications and
lighting distribution
data

akzu.com

AKZU

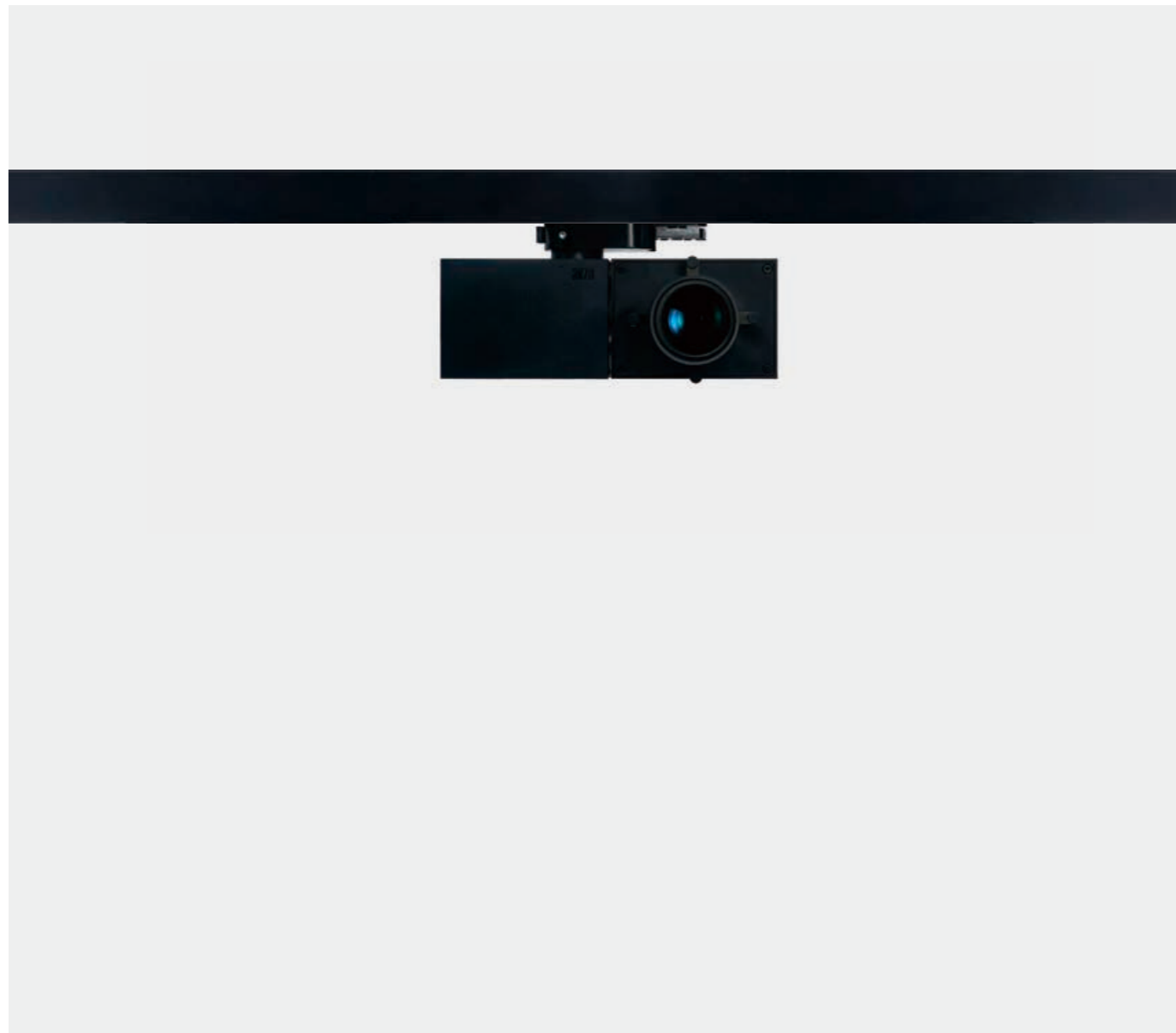


Visit akzu.com for the latest product information.
For detailed product specifications and museum lighting design,
please send your kind inquiry to info@akzu.com



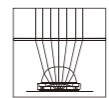
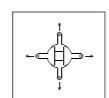
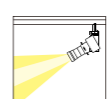
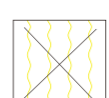
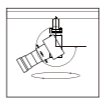


Dux A3 fine art projector

Fine accurate projector, delicate volume, concealed great power for precise cabinet lighting for museum exhibition space within 3 meters and cultural relics in exhibition cabinet.



Dux A3 fine art projector is designed for precise lighting of museum exhibition space within 3 meters and cultural relics in exhibition cabinet. With M3's delicate size and precise high transparency optical lens, weighing only 550g, Dux A3 has 12W wattage and beam angles of 12°, 19° and 36°. It can provide customized precise lighting for exhibits in low-space display space of museums and galleries, such as crowns, jades, bronzes, coins, small paintings and calligraphy, etc.

Wattage: 12W
 Beam angle: Max 12°, Max 19°, Max 36°
 Color temperature: 3000K, 4000K
 Luminous flux: 1240lm-1310lm
 Color: White, black
 Housing and bracket: cast aluminium, powder-coated.
 Rotation & tilt: 0°-270° tilt, bracket rotatable through 360°.
 Adapter: 3-circuit,
 Control mode: DALI, with dimmer.
 Brightness control range: 5-100%.
 Replaceable LED module: high-power LEDs on metal-core PCB, collimating Noctix lens, LED life span over 50000 hours.

-  Noctix high power collimating lens
-  Precisely beam shaping, square/trapezoid adjustment
-  Light type guidelines
-  No Flicker
-  360°x270° rotation
-  With dimmer
-  DALI

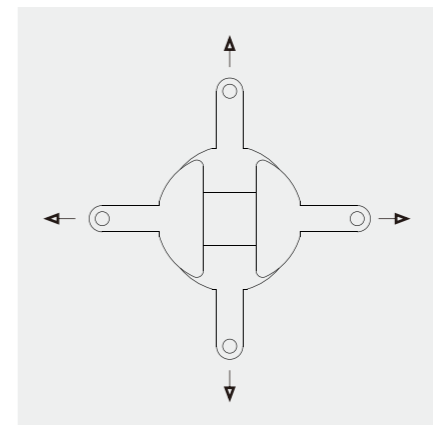


Implementing subregional lighting for multi-material and rare cultural relics.
 Many cultural relics exhibits are made up of a variety of light-sensitive materials, such as crown, including silk, gold, gemstones and other materials. Silk is highly sensitive to light and needs to be adjusted below 50 lux. Gemstones are light-insensitive materials and need high light to show their preciousness and brilliance.

Dux A3 contour projector can provide precise lighting and focus control technology for crown gemstones, perfectly presenting the gemstone's light color, at the same time well protecting other materials.

Stable and reliable direction of projection.
 Because the magnification of the contour projector is as high as 20 times, the slight change in the direction of the lens will magnify 20 times, resulting

in the displacement of the projection shape. Dux A3 uses a 120 gram only, high light efficiency optical lens, plus side axis structure, can help accurate and lasting positioning.



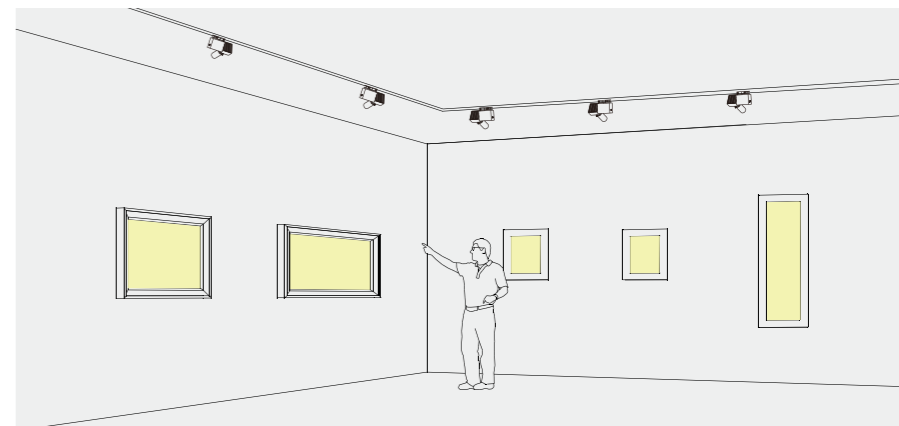
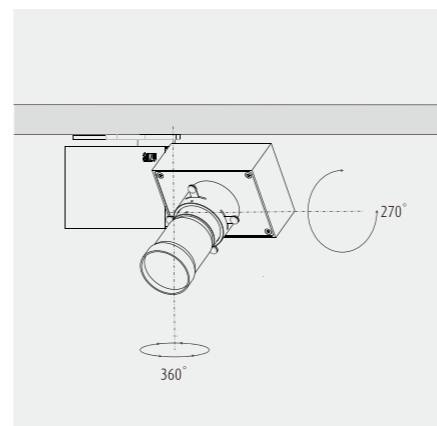
Precision scale, precision lighting
 The precision scale enables the accurate adjustments of the beam angle, and ensures the high consistency of lighting directions in the entire

Precisely beam shaping, square/trapezoid adjustment
 Dux A3 adopts aperture diaphragm imaging technology. You can adjust the size of the aperture manually according to the

requirements of different picture size, realizing the projection contour integrated with the exhibits, and achieving the best display effect.

Accurately casting light, dimming is handy.
 The side dimming tuner is easy to use without the need of additional tools and can realize 5-100% linear, non-flicker dimming. The convenient dimming

method helps to adjust the illumination more accurately, ensuring that the illuminance meets the museum lighting safety standards and maintains the illumination uniformity of the entire space.



Vertically 270° rotation, lighting both downward and upward.
 Dux A3 continues the flexible lighting of the Tracron track lights. The whole lamp can be rotated 360° horizontally and 270°

vertically. It is more suitable for a showroom with both high and low space requirements. The bold and innovative design allows each art and historical details to be perfectly presented.



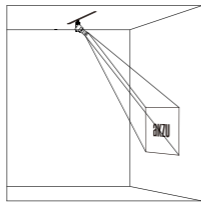
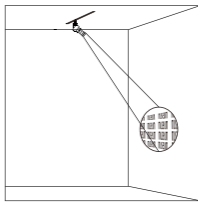
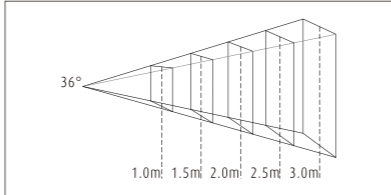
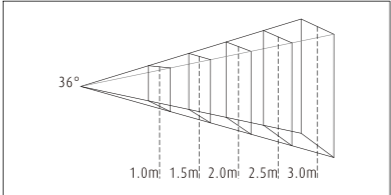
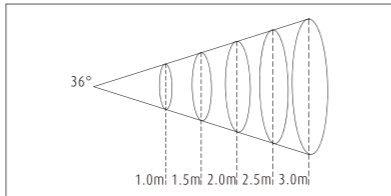
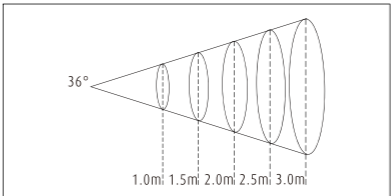
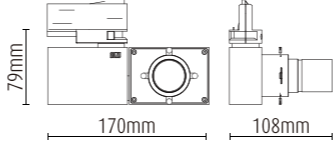
Vivid presentation for pearls as small as 1cm and paintings as large as 1m.
 The traditional projection lamp is more than 30cm in length, looks unusually abrupt in the exhibition space below 3 meters.




While the longest Dux A3 is only 12cm in length, with beam angles from 12°, 18° and 36°, brings out vivid presentation from a small curiosity to 1 meter scale painting and calligraphy.

Dux A3 Specifications and lighting distribution data

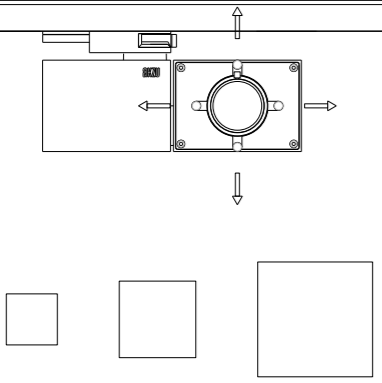
Fine art projector																																																																																
Wattage	12W																																																																															
Model	T12F																																																																															
Beam angle	max 12°				max 19°																																																																											
Light type chart																																																																																
Color temperature	3000K		4000K		3000K		4000K																																																																									
CRI(Ra)	95		85		95		85																																																																									
Luminous flux	1240lm		1310lm		1240lm		1310lm																																																																									
Lighting distribution data ¹	<table border="1"> <thead> <tr> <th>H(m)</th> <th>W(m)</th> <th>E(lx)</th> </tr> </thead> <tbody> <tr><td>1.0</td><td>0.14</td><td>865</td></tr> <tr><td>1.5</td><td>0.22</td><td>384</td></tr> <tr><td>2.0</td><td>0.31</td><td>216</td></tr> <tr><td>2.5</td><td>0.39</td><td>138</td></tr> <tr><td>3.0</td><td>0.48</td><td>96</td></tr> </tbody> </table>		H(m)	W(m)	E(lx)	1.0	0.14	865	1.5	0.22	384	2.0	0.31	216	2.5	0.39	138	3.0	0.48	96	<table border="1"> <thead> <tr> <th>H(m)</th> <th>W(m)</th> <th>E(lx)</th> </tr> </thead> <tbody> <tr><td>1.0</td><td>0.14</td><td>1068</td></tr> <tr><td>1.5</td><td>0.22</td><td>474</td></tr> <tr><td>2.0</td><td>0.31</td><td>266</td></tr> <tr><td>2.5</td><td>0.39</td><td>170</td></tr> <tr><td>3.0</td><td>0.48</td><td>118</td></tr> </tbody> </table>		H(m)	W(m)	E(lx)	1.0	0.14	1068	1.5	0.22	474	2.0	0.31	266	2.5	0.39	170	3.0	0.48	118	<table border="1"> <thead> <tr> <th>H(m)</th> <th>W(m)</th> <th>E(lx)</th> </tr> </thead> <tbody> <tr><td>1.0</td><td>0.23</td><td>833</td></tr> <tr><td>1.5</td><td>0.35</td><td>370</td></tr> <tr><td>2.0</td><td>0.47</td><td>208</td></tr> <tr><td>2.5</td><td>0.59</td><td>132</td></tr> <tr><td>3.0</td><td>0.71</td><td>92</td></tr> </tbody> </table>		H(m)	W(m)	E(lx)	1.0	0.23	833	1.5	0.35	370	2.0	0.47	208	2.5	0.59	132	3.0	0.71	92	<table border="1"> <thead> <tr> <th>H(m)</th> <th>W(m)</th> <th>E(lx)</th> </tr> </thead> <tbody> <tr><td>1.0</td><td>0.23</td><td>920</td></tr> <tr><td>1.5</td><td>0.35</td><td>408</td></tr> <tr><td>2.0</td><td>0.47</td><td>229</td></tr> <tr><td>2.5</td><td>0.59</td><td>146</td></tr> <tr><td>3.0</td><td>0.71</td><td>102</td></tr> </tbody> </table>		H(m)	W(m)	E(lx)	1.0	0.23	920	1.5	0.35	408	2.0	0.47	229	2.5	0.59	146	3.0	0.71	102
	H(m)	W(m)	E(lx)																																																																													
1.0	0.14	865																																																																														
1.5	0.22	384																																																																														
2.0	0.31	216																																																																														
2.5	0.39	138																																																																														
3.0	0.48	96																																																																														
H(m)	W(m)	E(lx)																																																																														
1.0	0.14	1068																																																																														
1.5	0.22	474																																																																														
2.0	0.31	266																																																																														
2.5	0.39	170																																																																														
3.0	0.48	118																																																																														
H(m)	W(m)	E(lx)																																																																														
1.0	0.23	833																																																																														
1.5	0.35	370																																																																														
2.0	0.47	208																																																																														
2.5	0.59	132																																																																														
3.0	0.71	92																																																																														
H(m)	W(m)	E(lx)																																																																														
1.0	0.23	920																																																																														
1.5	0.35	408																																																																														
2.0	0.47	229																																																																														
2.5	0.59	146																																																																														
3.0	0.71	102																																																																														
	<table border="1"> <thead> <tr> <th>H(m)</th> <th>D(m)</th> <th>E(lx)</th> </tr> </thead> <tbody> <tr><td>1.0</td><td>0.20</td><td>865</td></tr> <tr><td>1.5</td><td>0.30</td><td>384</td></tr> <tr><td>2.0</td><td>0.40</td><td>216</td></tr> <tr><td>2.5</td><td>0.50</td><td>138</td></tr> <tr><td>3.0</td><td>0.60</td><td>96</td></tr> </tbody> </table>		H(m)	D(m)	E(lx)	1.0	0.20	865	1.5	0.30	384	2.0	0.40	216	2.5	0.50	138	3.0	0.60	96	<table border="1"> <thead> <tr> <th>H(m)</th> <th>D(m)</th> <th>E(lx)</th> </tr> </thead> <tbody> <tr><td>1.0</td><td>0.20</td><td>1068</td></tr> <tr><td>1.5</td><td>0.30</td><td>474</td></tr> <tr><td>2.0</td><td>0.40</td><td>266</td></tr> <tr><td>2.5</td><td>0.50</td><td>170</td></tr> <tr><td>3.0</td><td>0.60</td><td>118</td></tr> </tbody> </table>		H(m)	D(m)	E(lx)	1.0	0.20	1068	1.5	0.30	474	2.0	0.40	266	2.5	0.50	170	3.0	0.60	118	<table border="1"> <thead> <tr> <th>H(m)</th> <th>D(m)</th> <th>E(lx)</th> </tr> </thead> <tbody> <tr><td>1.0</td><td>0.30</td><td>833</td></tr> <tr><td>1.5</td><td>0.45</td><td>370</td></tr> <tr><td>2.0</td><td>0.60</td><td>208</td></tr> <tr><td>2.5</td><td>0.75</td><td>132</td></tr> <tr><td>3.0</td><td>0.90</td><td>92</td></tr> </tbody> </table>		H(m)	D(m)	E(lx)	1.0	0.30	833	1.5	0.45	370	2.0	0.60	208	2.5	0.75	132	3.0	0.90	92	<table border="1"> <thead> <tr> <th>H(m)</th> <th>D(m)</th> <th>E(lx)</th> </tr> </thead> <tbody> <tr><td>1.0</td><td>0.30</td><td>920</td></tr> <tr><td>1.5</td><td>0.45</td><td>408</td></tr> <tr><td>2.0</td><td>0.60</td><td>229</td></tr> <tr><td>2.5</td><td>0.75</td><td>146</td></tr> <tr><td>3.0</td><td>0.90</td><td>102</td></tr> </tbody> </table>		H(m)	D(m)	E(lx)	1.0	0.30	920	1.5	0.45	408	2.0	0.60	229	2.5	0.75	146	3.0	0.90	102
H(m)	D(m)	E(lx)																																																																														
1.0	0.20	865																																																																														
1.5	0.30	384																																																																														
2.0	0.40	216																																																																														
2.5	0.50	138																																																																														
3.0	0.60	96																																																																														
H(m)	D(m)	E(lx)																																																																														
1.0	0.20	1068																																																																														
1.5	0.30	474																																																																														
2.0	0.40	266																																																																														
2.5	0.50	170																																																																														
3.0	0.60	118																																																																														
H(m)	D(m)	E(lx)																																																																														
1.0	0.30	833																																																																														
1.5	0.45	370																																																																														
2.0	0.60	208																																																																														
2.5	0.75	132																																																																														
3.0	0.90	92																																																																														
H(m)	D(m)	E(lx)																																																																														
1.0	0.30	920																																																																														
1.5	0.45	408																																																																														
2.0	0.60	229																																																																														
2.5	0.75	146																																																																														
3.0	0.90	102																																																																														
Control mode ²																																																																																
DALI		✓		✓		✓		✓																																																																								
With dimmer	✓		✓		✓		✓																																																																									
Quality																																																																																
5-year warranty ³	●	●	●	●	●	●	●	●																																																																								
CE/CCC	●	●	●	●	●	●	●	●																																																																								
Protection degree	IP20																																																																															
Voltage	220-240V~ 50/60Hz																																																																															
Rotation & tilt	360°/270°																																																																															
Dimension																																																																																
Weight	0.55Kg																																																																															
Package dimension	350mm x 195mm x 95mm																																																																															
Article code																																																																																
White	664001	664004	664051	664054	664013	664016	664063	664066																																																																								
Black	664002	664005	664052	664055	664014	664017	664064	664067																																																																								
Note	<p>1. All data, images, and specifications are typical and for reference only, and may be changed due to product improvement without prior notice.</p> <p>2. Control mode can be customized as phase-cut dimming and bluetooth dimming.</p> <p>3. The warranty policy in the general terms and conditions shall apply exclusively for product supplied by AKZU.</p> <p>4. For more information, please call 400-687-2598 or visit us at www.akzu.com.</p>																																																																															

Dux A3 Specifications and lighting distribution data

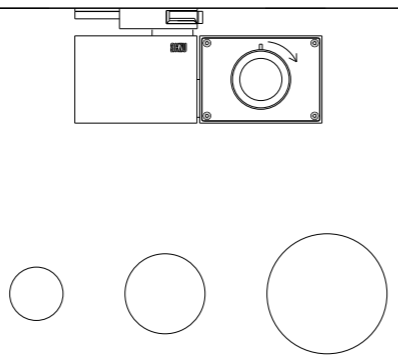
Contour projector																																								
Wattage	12W																																							
Model	T12F																																							
Beam angle	max 36°																																							
Light type chart																																								
Color temperature	3000K		4000K																																					
CRI(Ra)	95		85																																					
Luminous flux	1240lm		1310lm																																					
Lighting distribution data ¹	 <table border="1"> <thead> <tr> <th>H(m)</th> <th>W(m)</th> <th>E(lx)</th> </tr> </thead> <tbody> <tr><td>1.0</td><td>0.46</td><td>219</td></tr> <tr><td>1.5</td><td>0.68</td><td>96</td></tr> <tr><td>2.0</td><td>0.92</td><td>54</td></tr> <tr><td>2.5</td><td>1.15</td><td>34</td></tr> <tr><td>3.0</td><td>1.37</td><td>24</td></tr> </tbody> </table>		H(m)	W(m)	E(lx)	1.0	0.46	219	1.5	0.68	96	2.0	0.92	54	2.5	1.15	34	3.0	1.37	24	 <table border="1"> <thead> <tr> <th>H(m)</th> <th>W(m)</th> <th>E(lx)</th> </tr> </thead> <tbody> <tr><td>1.0</td><td>0.46</td><td>242</td></tr> <tr><td>1.5</td><td>0.68</td><td>107</td></tr> <tr><td>2.0</td><td>0.92</td><td>60</td></tr> <tr><td>2.5</td><td>1.15</td><td>38</td></tr> <tr><td>3.0</td><td>1.37</td><td>26</td></tr> </tbody> </table>		H(m)	W(m)	E(lx)	1.0	0.46	242	1.5	0.68	107	2.0	0.92	60	2.5	1.15	38	3.0	1.37	26
	H(m)	W(m)	E(lx)																																					
1.0	0.46	219																																						
1.5	0.68	96																																						
2.0	0.92	54																																						
2.5	1.15	34																																						
3.0	1.37	24																																						
H(m)	W(m)	E(lx)																																						
1.0	0.46	242																																						
1.5	0.68	107																																						
2.0	0.92	60																																						
2.5	1.15	38																																						
3.0	1.37	26																																						
	 <table border="1"> <thead> <tr> <th>H(m)</th> <th>D(m)</th> <th>E(lx)</th> </tr> </thead> <tbody> <tr><td>1.0</td><td>0.60</td><td>219</td></tr> <tr><td>1.5</td><td>0.90</td><td>96</td></tr> <tr><td>2.0</td><td>1.20</td><td>54</td></tr> <tr><td>2.5</td><td>1.50</td><td>34</td></tr> <tr><td>3.0</td><td>1.80</td><td>24</td></tr> </tbody> </table>		H(m)	D(m)	E(lx)	1.0	0.60	219	1.5	0.90	96	2.0	1.20	54	2.5	1.50	34	3.0	1.80	24	 <table border="1"> <thead> <tr> <th>H(m)</th> <th>D(m)</th> <th>E(lx)</th> </tr> </thead> <tbody> <tr><td>1.0</td><td>0.60</td><td>242</td></tr> <tr><td>1.5</td><td>0.90</td><td>107</td></tr> <tr><td>2.0</td><td>1.20</td><td>60</td></tr> <tr><td>2.5</td><td>1.50</td><td>38</td></tr> <tr><td>3.0</td><td>1.80</td><td>26</td></tr> </tbody> </table>		H(m)	D(m)	E(lx)	1.0	0.60	242	1.5	0.90	107	2.0	1.20	60	2.5	1.50	38	3.0	1.80	26
H(m)	D(m)	E(lx)																																						
1.0	0.60	219																																						
1.5	0.90	96																																						
2.0	1.20	54																																						
2.5	1.50	34																																						
3.0	1.80	24																																						
H(m)	D(m)	E(lx)																																						
1.0	0.60	242																																						
1.5	0.90	107																																						
2.0	1.20	60																																						
2.5	1.50	38																																						
3.0	1.80	26																																						
Control mode ²																																								
DALI		✓		✓																																				
With dimmer	✓		✓																																					
Quality																																								
5-year warranty ³	●	●	●	●																																				
CE/CCC	●	●	●	●																																				
Protection degree	IP20																																							
Voltage	220-240V- 50/60Hz																																							
Rotation & tilt	360°/270°																																							
Dimension																																								
Weight	0.55Kg																																							
Package dimension	350mm x 195mm x 95mm																																							
Article code																																								
White	664025	664028	664075	664078																																				
Black	664026	664029	664076	664079																																				
Note	<p>1. All data, images, and specifications are typical and for reference only, and may be changed due to product improvement without prior notice.</p> <p>2. Control mode can be customized as phase-cut dimming and bluetooth dimming.</p> <p>3. The warranty policy in the general terms and conditions shall apply exclusively for product supplied by AKZU.</p> <p>4. For more information, please call 400-687-2598 or visit us at www.akzu.com.</p>																																							

<p>Dinkum 3/12</p>  <p>12° lens</p> <p>12° lens and refinement socket</p>	<p>Dinkum 3/19</p>  <p>19° lens</p> <p>19° lens and refinement socket</p>	<p>Dinkum 3/36</p>  <p>36° lens</p> <p>36° lens and refinement socket</p>
--	--	--

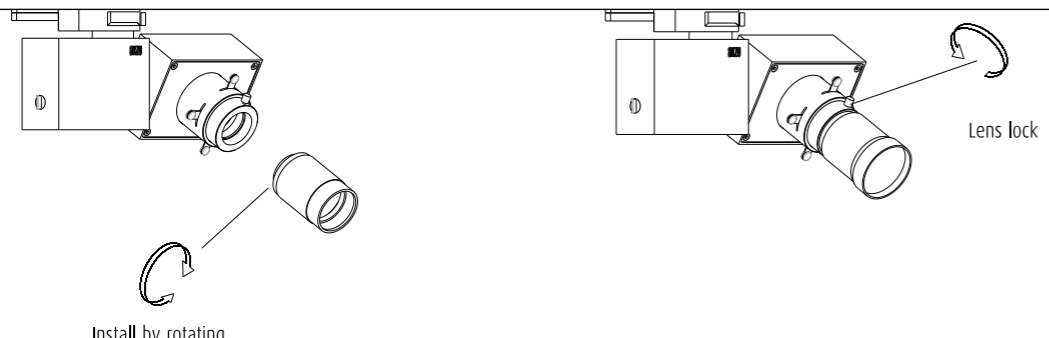
Regulate Square Shape Lighting Size



Regulate Round Shape Lighting Size



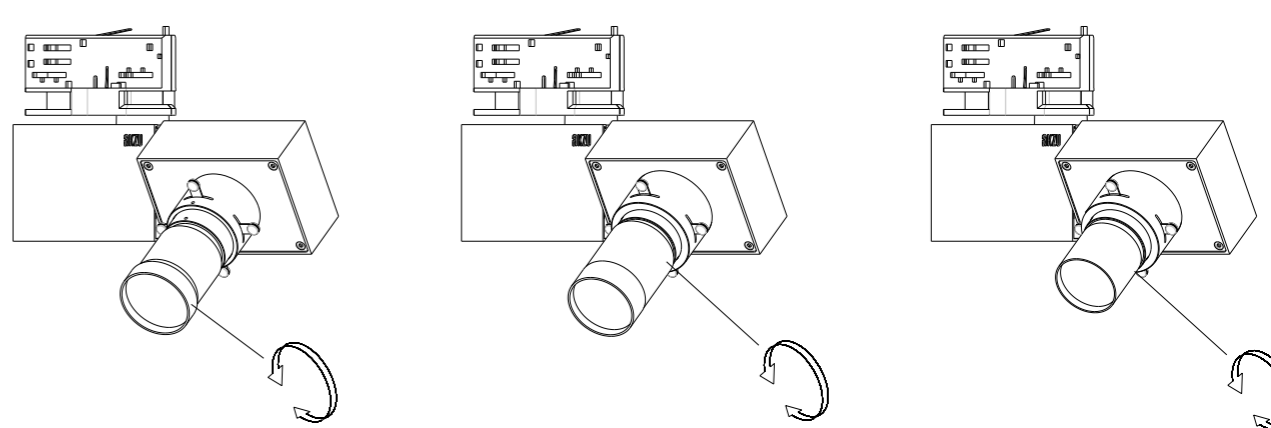
Lens Installation



Install by rotating

Lens lock

Regulatory focus

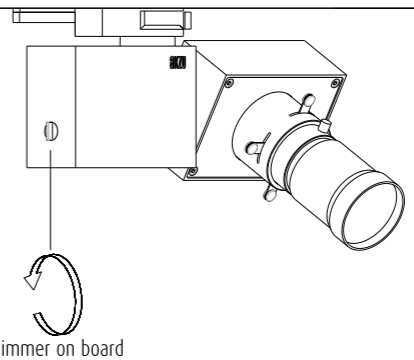


Dinkum 3/12 regulatory focus

Dinkum 3/19 regulatory focus

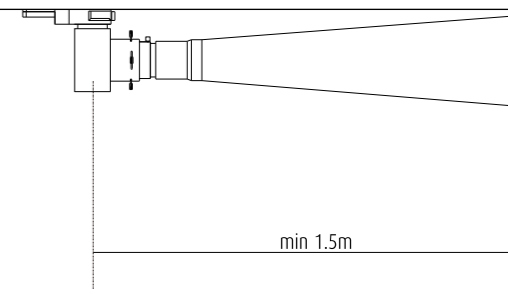
Dinkum 3/36 regulatory focus

Dimmer on board



Dimmer on board

Minimum distance for focusing



min 1.5m